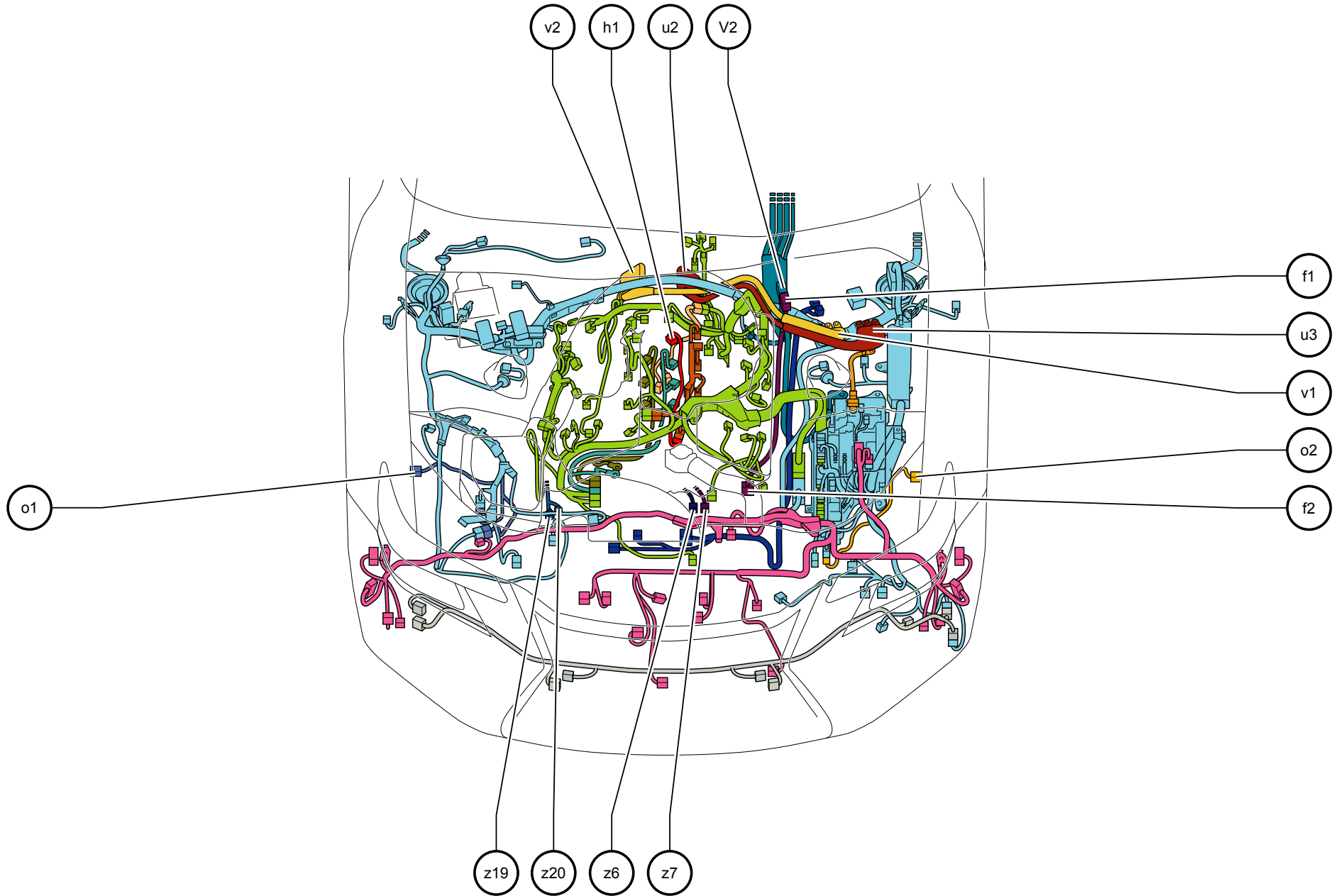


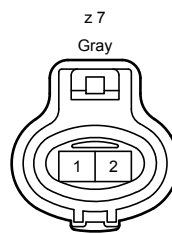
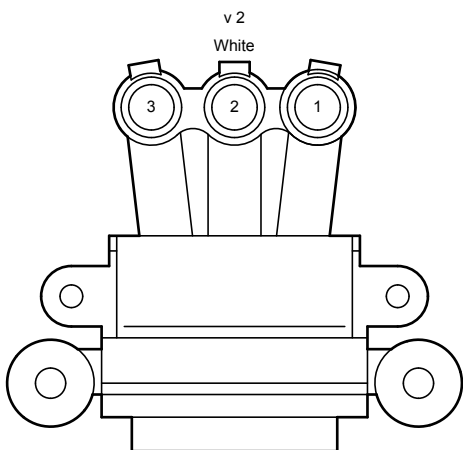
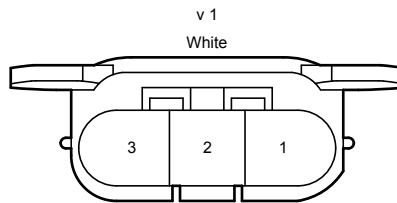
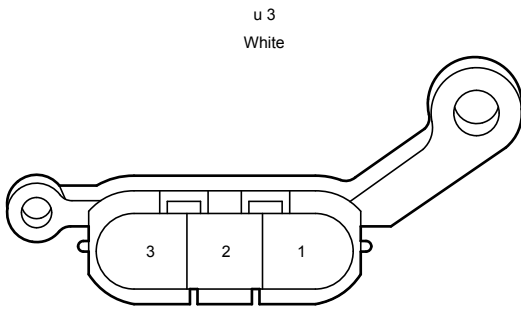
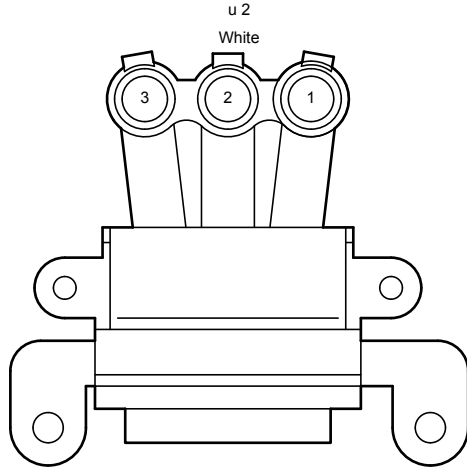
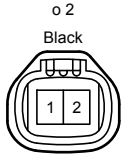
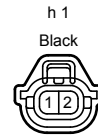
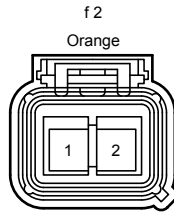
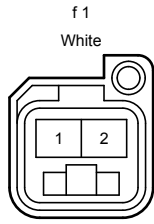
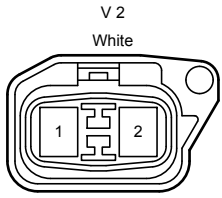
Position of Parts in Engine Compartment <RHD 2GR-FXE>



Position of Parts in Engine Compartment <RHD 2GR-FXE>

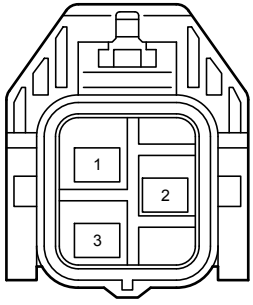
- V 2 Inverter with Converter Assembly
- f 1 Inverter with Converter Assembly
- f 2 Compressor with Motor Assembly
- h 1 Solenoid Valve Assembly
- o 1 Front Speed Sensor RH
- o 2 Front Speed Sensor LH
- u 2 Hybrid Vehicle Transmission Assembly
- u 3 Inverter with Converter Assembly
- v 1 Inverter with Converter Assembly
- v 2 Hybrid Vehicle Transmission Assembly
- z 6 Cooling Fan ECU , Cooling Fan Motor
- z 7 Cooling Fan ECU , No. 2 Cooling Fan Motor
- z 19 Oil Pump Motor Controller , Oil Pump with Motor Assembly
- z 20 Oil Pump Motor Controller , Oil Pump with Motor Assembly

Position of Parts in Engine Compartment <RHD 2GR-FXE>



Position of Parts in Engine Compartment <RHD 2GR-FXE>

z 19
White



z 20
Black

